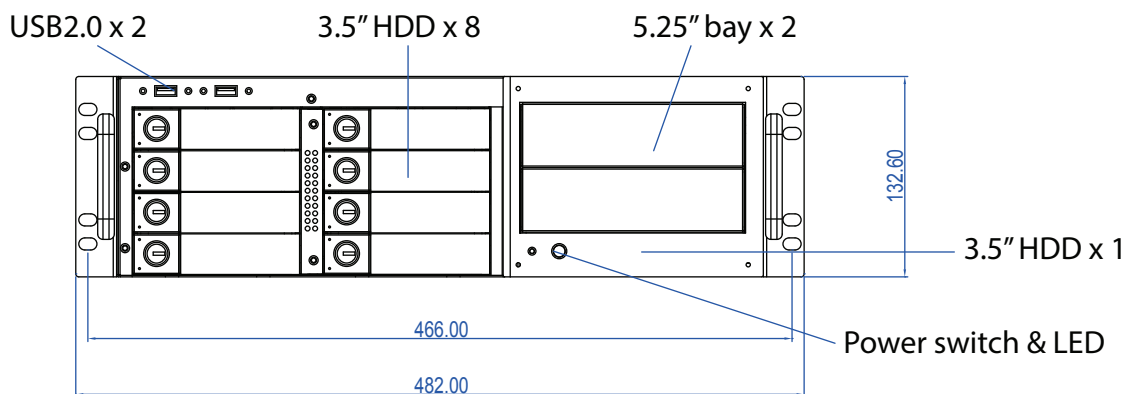
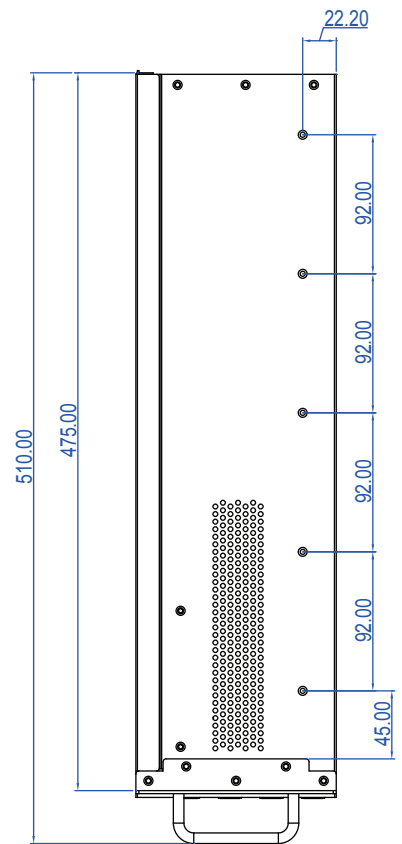
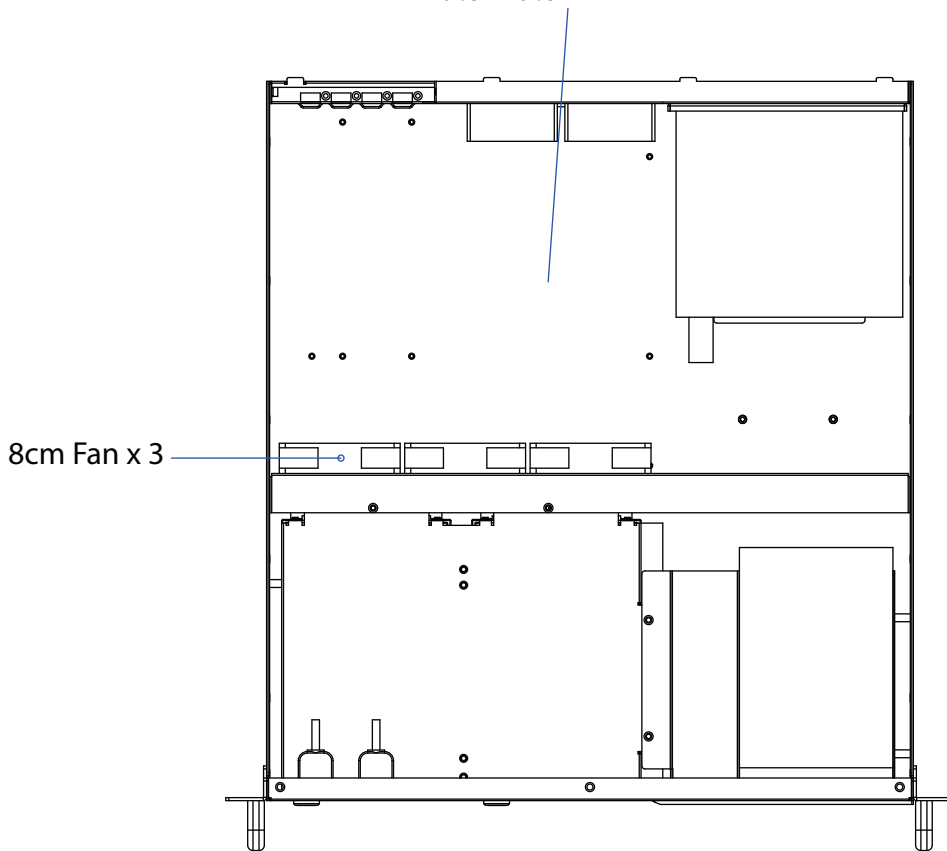


Model No.	D-A380-MATX
Ext	3.5" x 8 + 5.25" bay x 2
Eid	3.5"X1
M/B	MICRO ATX
Fan	8cmx3 , 6CMx2(optional)
Slot	x4
Rev.	

unit:mm

9.6" x 9.6" MATX



APPROVED